

## Unico®

Singlejet consumption meter  
for warm water up to 90°C  
DN 15, 20

### Our strength: Your benefit

- Robust, high grade wear resistant materials:  
Excellent measuring stability and reliability
- Measurement of low flow rates:  
Increased cost effectiveness

### Application

- Regular consumption monitoring of water consumption within an entire building
- Wall installation
- For nominal flow rates up to 2,5m<sup>3</sup>/h

### Features

- Single jet dry-dial meter with magnetic coupling
- Register can be turned for best readout position
- Maximum operating pressure PN 16 bar
- Maximum operating temperature 90°C
- Horizontal or vertical installation
- 5 dial resolution
- High grade wear resistant and corrosion proof materials
- Inlet strainer
- Reconditionable and recyclable execution
- EEC- and country specific type approvals

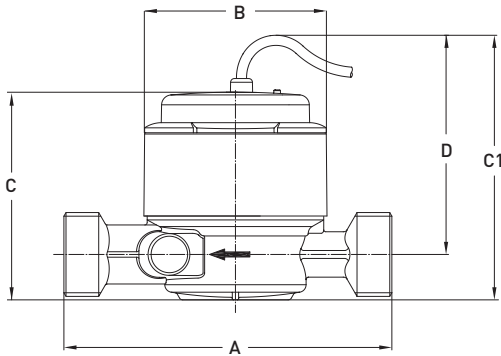
### Options

- Reed pulser IPG14 for the transmission to remote or centralised indication devices (Standard pulse value 10 liters)
- Other measuring ranges
- NPSM threaded connection
- Other pulse values
  - Documentation: IPG14 - EPe40217
- **CE** Conformity according to European Measuring Instruments (MID)
  - Documentation: Unico® - EPe20126

## Installation

Pipeline:	horizontal	—
	vertical	
Meter head:	upwards	↑
	sideways	← →

## Dimension Diagram



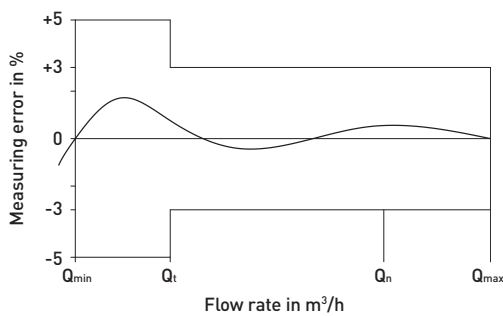
## Technical Data

	DN	mm	15	15	20	20	20
Nominal diameter	DN	mm	15	15	20	20	20
Operating pressure	PN	bar	16	16	16	16	16
Connection thread on meter	G...B	Inch	¾	¾	1	1	1
Connection thread on coupling	R...	Inch	½	½	¾	¾	¾
Nominal flow rate	Q <sub>n</sub>	m³/h	1,5	1,5	1,5	1,5	2,5
Maximum flow rate	Q <sub>max</sub>	m³/h	3	3	3	3	5
Partial limit horizontal ±3%	Q <sub>th</sub>	l/h	120	120	120	120	200
Partial limit vertical ±3%	Q <sub>tv</sub>	l/h	150	150	150	150	250
Minimum flow rate horizontal ±5%	Q <sub>min h</sub>	l/h	30	30	30	30	50
Minimum flow rate vertical ±5%	Q <sub>min v</sub>	l/h	60	60	60	60	100
Temperature		max. °C	90	90	90	90	90
Measuring range horizontal	Q <sub>min</sub> /Q <sub>n</sub>		1:50	1:50	1:50	1:50	1:50
Measuring range vertical	Q <sub>min</sub> /Q <sub>n</sub>		1:25	1:25	1:25	1:25	1:25

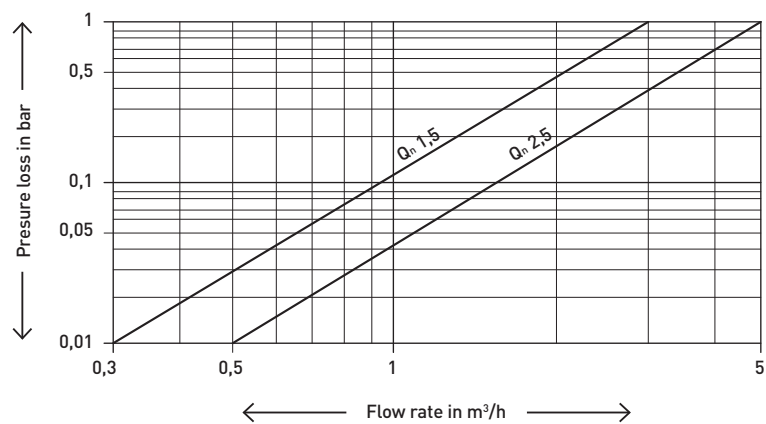
### Dimensions and weights

	A	mm	110	130	110	130	130
Length without couplings	A	mm	110	130	110	130	130
Length with couplings		mm	185	205	204	224	224
Width	B	mm	72	72	72	72	72
Height without Reed pulser	C	mm	72	72	72	72	72
Height with Reed pulser	C1	mm	108	108	108	108	108
Height from pipe centre	D	mm	90	90	90	90	90
Weight without couplings		app. g	610	680	640	700	700

## Measuring error curve



## Typical Head Loss Curve



EPe20106 – 23.07.2009  
Subject to modification

GWF MessSysteme AG  
Obergrundstrasse 119, 6002 Luzern  
Switzerland

T +41 (0)41 319 50 50  
F +41 (0)41 310 60 87  
info@gwf.ch, www.gwf.ch

swiss.smart.simple.

**GWF**